
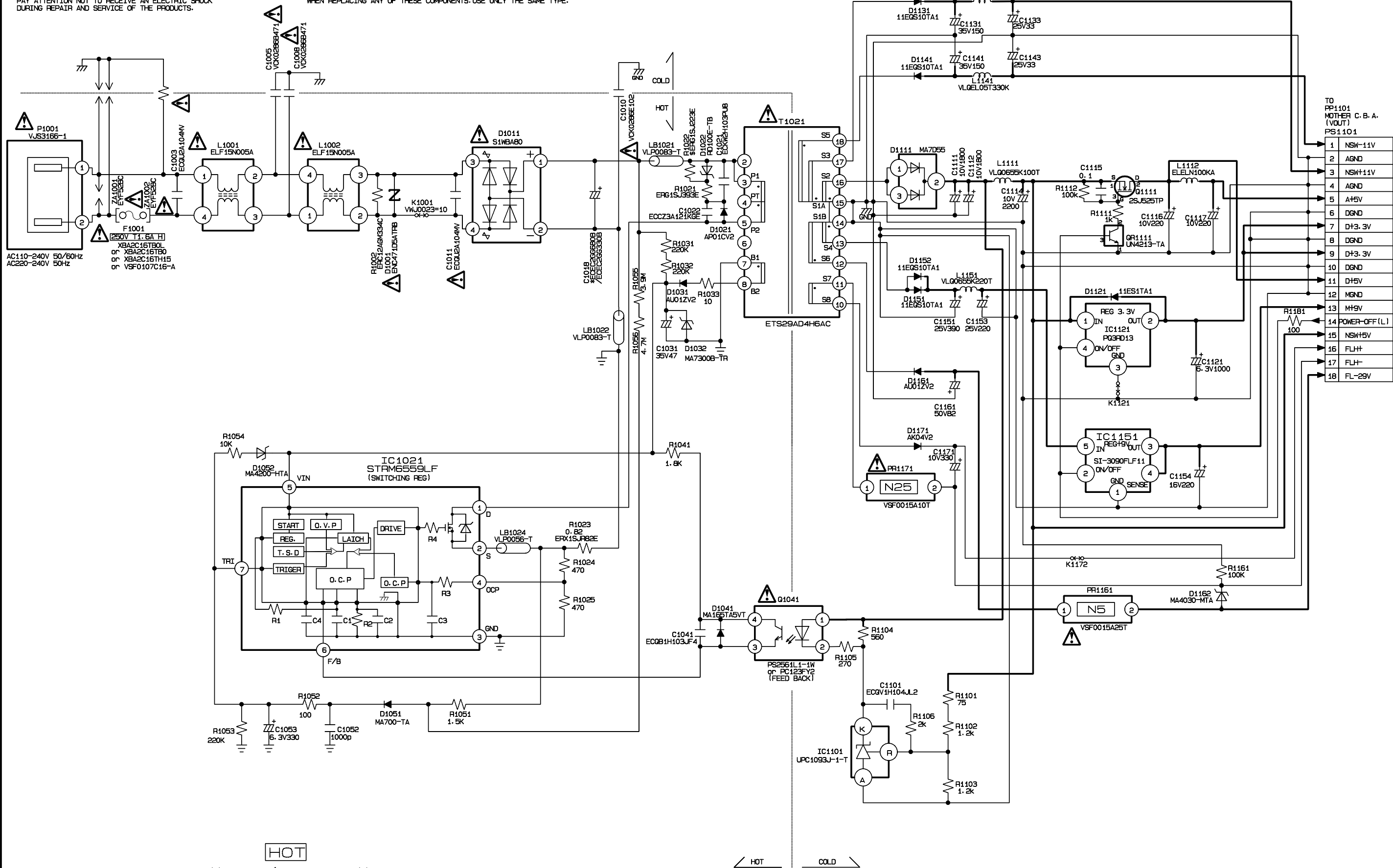


**CAUTION**  
 THE  MARK INDICATES THE PRIMARY CIRCUIT TO DISTINGUISH THE PRIMARY FROM THE SECONDARY CIRCUIT. PAY ATTENTION NOT TO RECEIVE AN ELECTRIC SHOCK DURING REPAIR AND SERVICE OF THE PRODUCTS.

**IMPORTANT SAFETY NOTICE:**  
 COMPONENTS IDENTIFIED WITH THE  HAVE THE SPECIAL CHARACTERISTICS FOR SAFETY. WHEN REPLACING ANY OF THESE COMPONENTS, USE ONLY THE SAME TYPE.

G  
F  
E  
D  
C  
B  
A



TO PP1101 MOTHER C.B.A. (VOUT) PS1101

1	NSW-11V
2	AGND
3	NSW+11V
4	AGND
5	A+5V
6	DGND
7	D+3.3V
8	DGND
9	D+3.3V
10	DGND
11	D+5V
12	MGND
13	M+9V
14	POWER-OFF (L)
15	NSW+5V
16	FLH+
17	FLH-
18	FL-29V

**HOT**  
 <<WARNING! Live Mains>>

**HOT**      **COLD**

NOTE: DO NOT USE THE PART NUMBER SHOWN ON THIS DRAWING FOR ORDERING. THE CORRECT PART NUMBER IS SHOWN IN THE PARTS LIST, AND MAY BE SLIGHTLY DIFFERENT OR AMENDED SINCE THIS DRAWING WAS PREPARED.

1      2      3      4      5      6      7      8      9      10